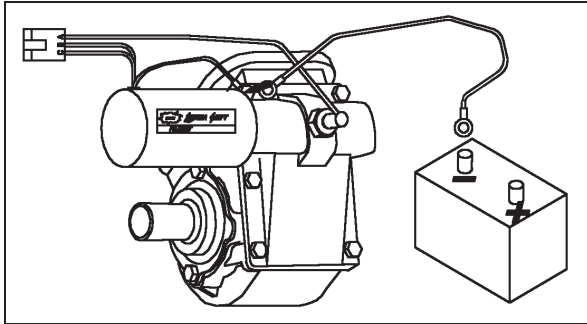


# LECTRA SHIFT GROUND WIRE INSTALLATION INSTRUCTIONS

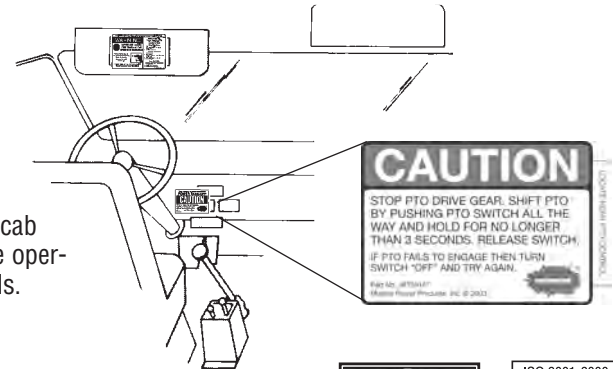


Due to the differences in vehicle assemblies, we have found that grounding of the Lectra Shift at the PTO cover may not provide an adequate ground. The addition of a ground wire connected directly to the battery ensures that a properly grounded connection can be accomplished.

Examine your current wire harness for a #10 wire with ring terminal connected to the PTO shift cover. If this ground wire is not part of our harness, then add a length of #10 wire. Connect this wire to the PTO shift cover bolt, which also attaches to the ring terminal of the Lectra Shift solenoid ground.

Route this wire to the vehicle battery and away from rotating components and/or heat sources. Secure in place with wire tie straps and connect this to the battery ground terminal.

The kit contains a caution decal, which needs to be placed with in the vehicle cab and located near the PTO activation switch. This decal is an instruction for the operator to push to engage the PTO, but hold this switch for no more than 3 seconds.



**Muncie®  
Power  
Products**

IN03-02 (Rev. 4-07) Printed in the U.S.A.  
© Muncie Power Products, Inc. 2007

**Muncie Power Products, Inc.** Member of the Interpump Hydraulics Group  
General Offices and Distribution Center • P.O. Box 548 • Muncie, IN 47308-0548  
(765) 284-7721 • FAX (765) 284-6991 • E-mail [info@munciepower.com](mailto:info@munciepower.com)  
Web site <http://www.munciepower.com>

Drive Products, Inc., Toronto, Exclusive Agents for Canada, a Non-ISO Registered Firm

